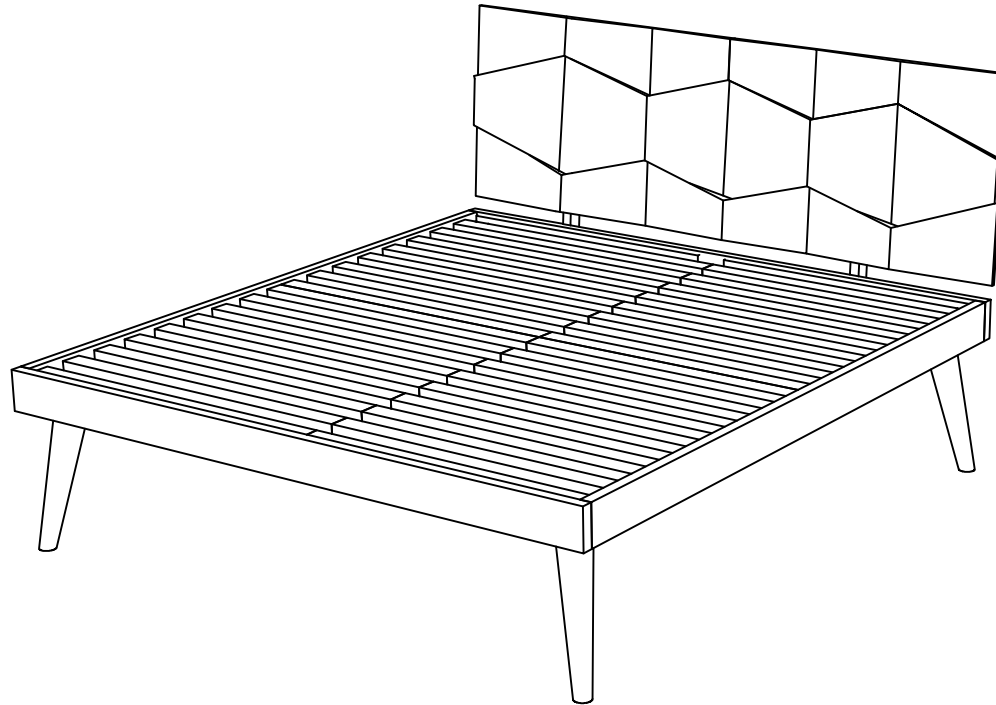


MOE'S
home collection

ASSEMBLY INSTRUCTIONS.

O2 BED QUEEN LIGHT GOLDEN

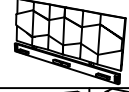






BZ-1130-21











THANK YOU FOR YOUR PURCHASE!

PARTS & HARDWARE.

PART LIST

NO.	DESCRIPTION	IMAGE	Qty
A.	BED HEAD		1
B.	FOOT & SIDE RAIL		1 + 2
C.	MIDDLE RAIL		1
D.	BED HEAD SUPPORT		2
E.	LEG		4
F.	MIDDLE LEG		2
G.	MATT. SLATE		4

HARDWARE LIST

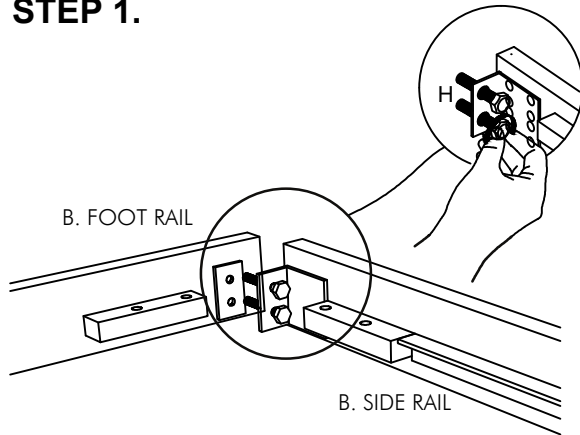
H.	Allen Bolt		8
I.	Spanner		1
J.	Spanner		1
K.	Allen Bolt		16
L.	Nut Bolt		2
M.	Washer		22
N.	Allen Bolt Large		6
O.	Allen Key		1

NOTES.

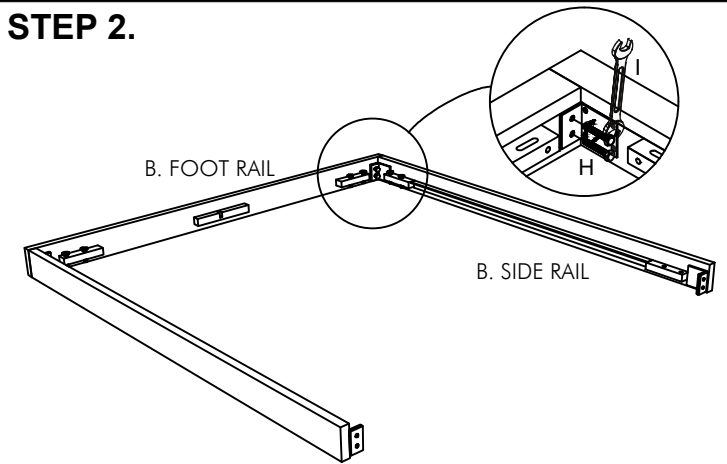
Thank you for purchasing this quality product! Be sure to check all packing material carefully for small part that May have come loose inside the carton during shipping.

CAUTION: The Item is heavy, assembly should be performed by two people.

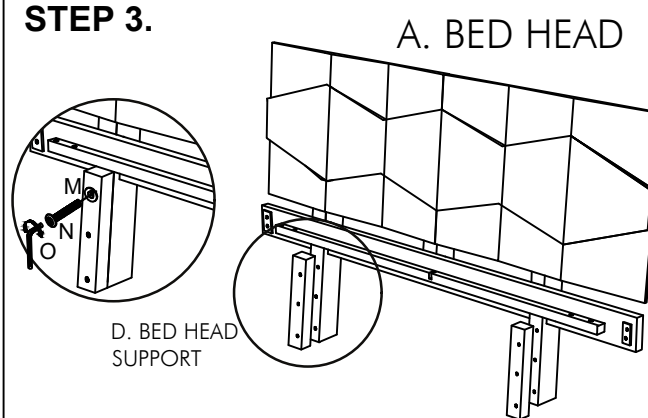
STEP 1.



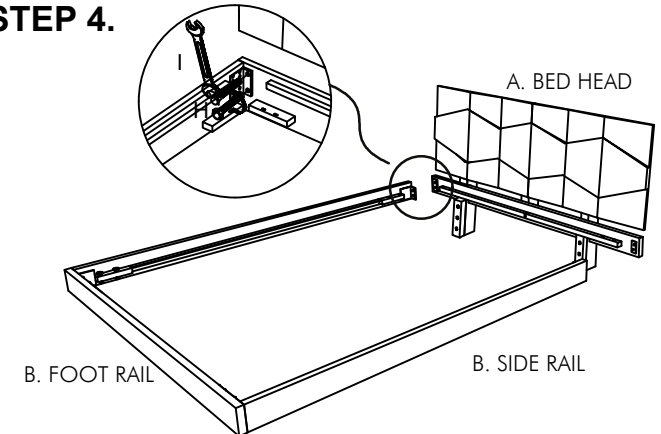
STEP 2.



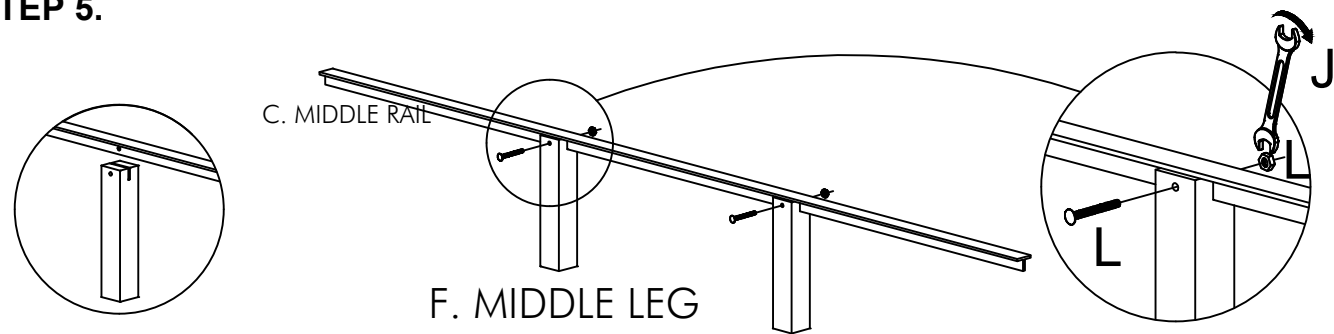
STEP 3.



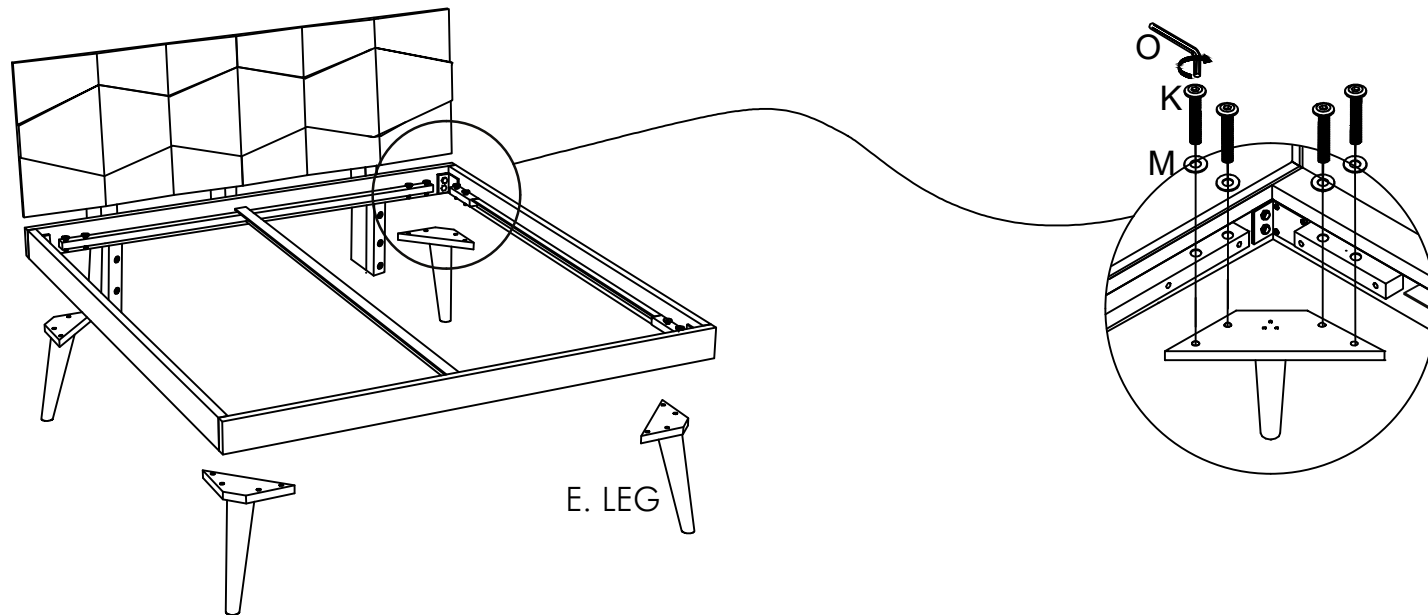
STEP 4.



STEP 5.



STEP 6.



STEP 7.

